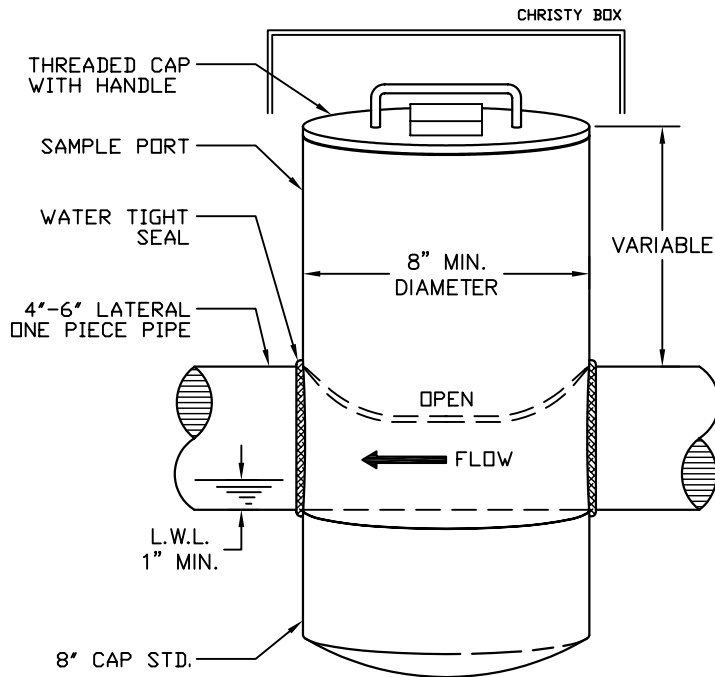
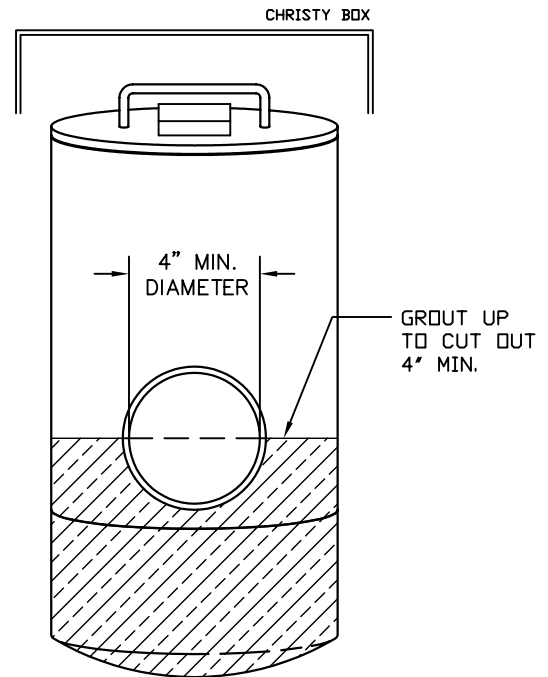


TOP VIEW OF SAMPLE PORT



SIDE VIEW OF SAMPLE PORT



FRONT VIEW OF SAMPLE PORT

LAB WASTEWATER LINES SHALL BE SEPARATE FROM DOMESTIC SEWAGE AND A SAMPLING PORT ON THE LAB WASTE LINE SHALL BE INSTALLED IN AN EASILY ACCESSIBLE LOCATION OUTSIDE THE BUILDING.

TYPICAL LAB WASTEWATER SAMPLING PORT

NOTES:

1. THE SAMPLING PORT SHALL BE INSTALLED WITH PROPER ACCESS AT A LOCATION WHERE ALL BUILDING LAB WASTES ARE DISCHARGED, BEFORE THE LAB WASTE LINE CONNECTS TO THE DOMESTIC WASTE LINE.
2. THE SAMPLING PORT SHALL BE DESIGNED SO THAT IT IS PERPENDICULAR TO THE LAB WASTE LINE, HAS A MINIMUM 8-INCH DIAMETER, AS VERIFIED WITH STANFORD ENVIRONMENTAL QUALITY STAFF. SAMPLING PORT SHALL HAVE A SCREW-TOP CAP WITH A HANDLE AND IS PROTECTED BY A CHRISTIE BOX.
3. THE SAMPLING PORT SHOULD NOT BE LOCATED IN AN AREA WHERE WATER FROM IRRIGATION OR FLOW FROM STORMWATER RUNOFF CAN ACCUMULATE.
4. SAMPLE PORT SHALL BE INSTALLED ON A GRAVITY LABWASTE DISCHARGE LINE. TOP OF CAP SHALL BE ABOVE OVERFLOW AND ABOVE GRADE. PROPER ACCESS SHALL BE PROVIDED.
5. REFER TO UPC AND THE STANFORD FDG AND APPLICABLE STANDARDS FOR DETAIL PIPE AND INSTALLATION SPECIFICATIONS. DESIGNER SHALL SPECIFY MAXIMUM SLOPE.
6. INCLUDE A 1-1/2" TO 2 INCH EYEBOLT NEARBY FOR EASY LOCK-UP OF SAMPLING EQUIPMENT.
7. CONTACT THE ENVIRONMENTAL QUALITY STAFF AT 650-725-7864 OR 723-9747 WITH ANY QUESTIONS OR COMMENTS.



STANFORD UNIVERSITY FACILITY OPERATIONS

DWG.

Drawing Title: LAB WASTEWATER SAMPLE PORT

CS-117

Scale: NTS

Check:

Rev. By: JEM

Rev. Date: 11/22/05